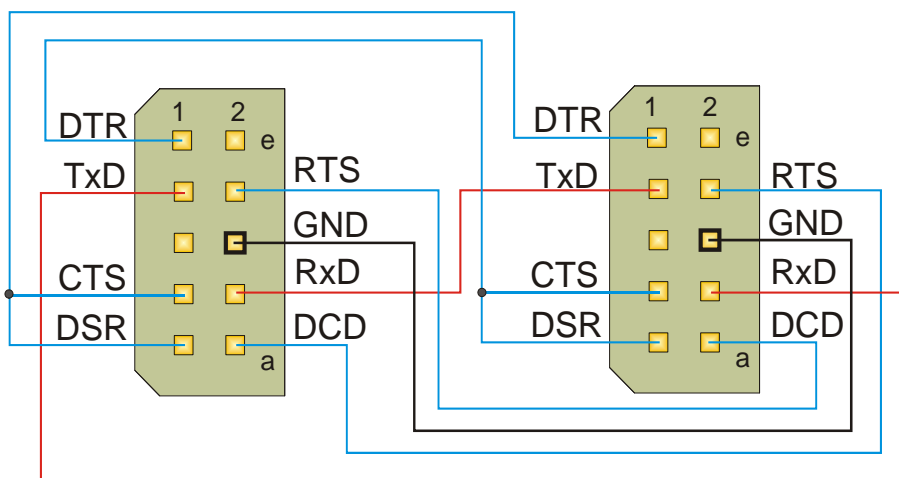


250.0205.30.05

Document No. 3227 • 24. September 2003

### Link Cable RS-232 for interconnection between CU2-QUARTET serial ports COM1...COM4



har-link I/O metric male connectors  
HARTING part no. 27 11 161 8001  
EKF part no. 250.0205.20.01  
use shielded data cable only  
complete cable assembly available on request  
**EKF part no. 250.0205.30.05 (cable harness 2m)**



250.0205.30.05

Har-link Connector 27 11 161 8001	Wire Color	Har-link Connector 27 11 161 8001	Signal
a1/b1 bridged		e1	DSR/CTS - DTR
a2		d2	DCD - RTS
b2		d1	RxD - TxD
c1	- - -	c1	do not connect
c2		c2	GND
d1		b2	TxD - RxD
d2		a2	RTS - DCD
e1		a1/b1 bridged	DTR - DSR/CTS
e2	- - -	e2	do not connect